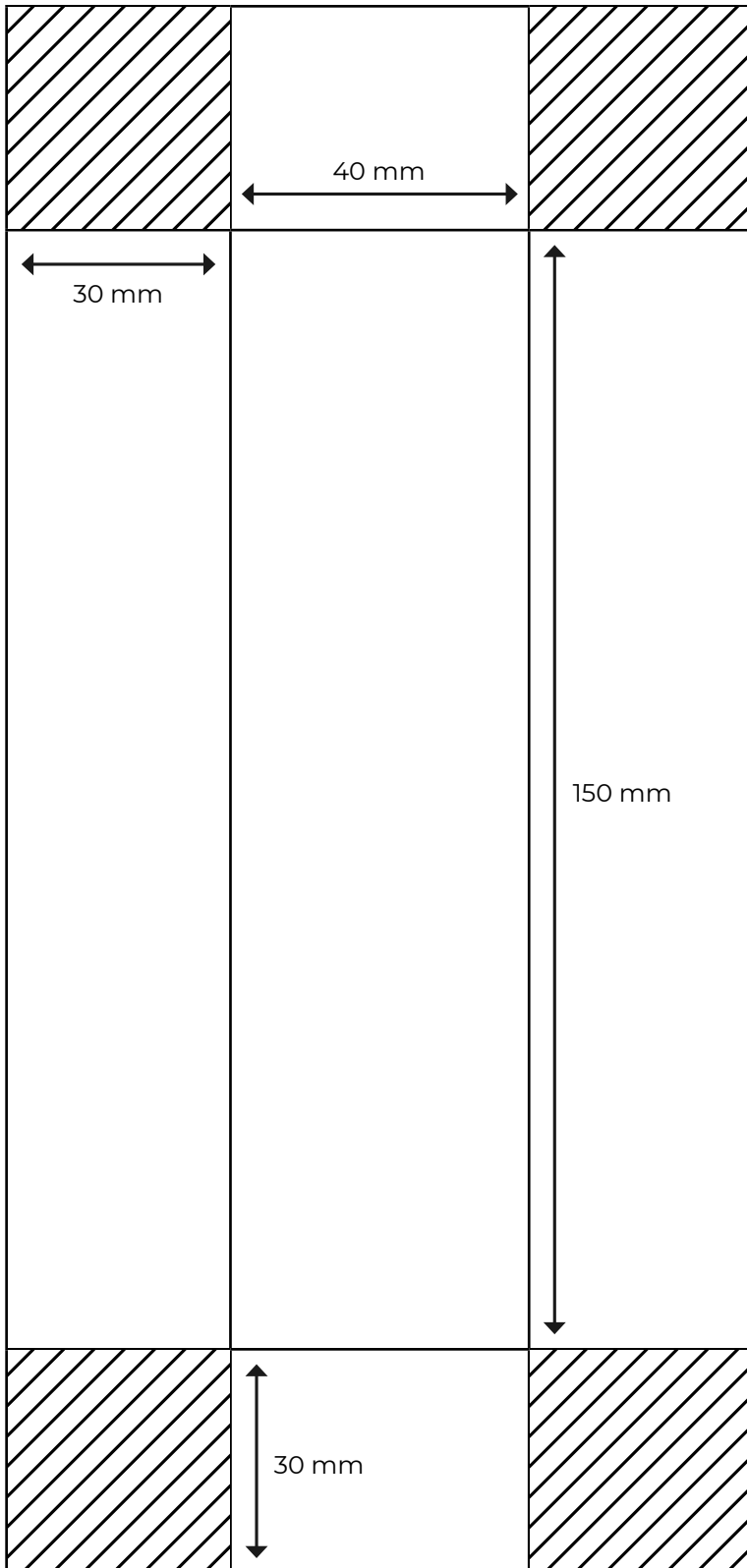
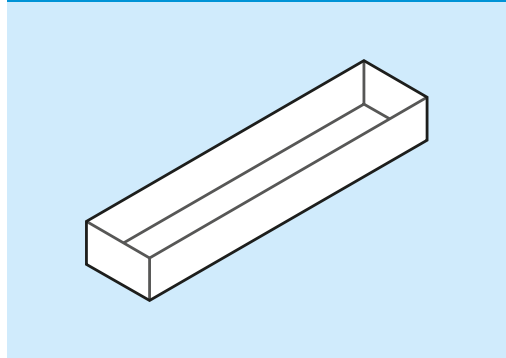


# Mould template



The assembled mould should look like this:



### Time to calculate

What is the volume of your mould?